



**Creating Cities  
Where Urban Meets Nature**

## **VersiWall® GP 2060**

**Green Wall**



### **Our Innovation Your Solution**

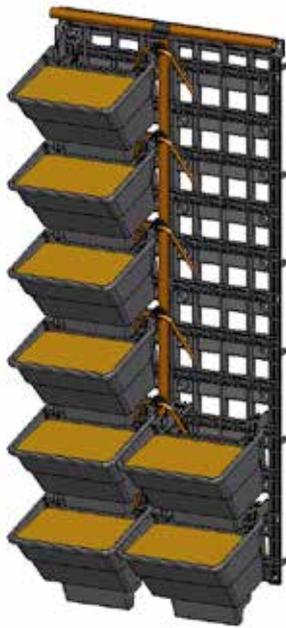
Versi Wall® GP(VGP) 2060 offers architects and developers a cost-effective solution to convert dull and monotonous walls into aesthetically-pleasing living walls.

The tray system allows choice of a variety of mounting, planting density and growth media options to suit different installation requirements.

# Technical Specifications

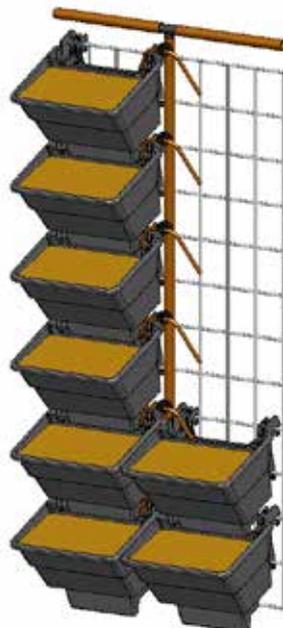
<b>Material</b>	Recycled Polypropylene (UV stabilised)	
<b>Colour</b>	Black	
<b>Size (mm)</b>		
Tray	Overall	195 (W) x 207 (H) x 192 (D)
	Nominal	200 (W) x 150 (H) x 195 (D)
Mounting Panel	Overall	418 (W) x 925 (H) x 022 (D)
	Nominal	400 (W) x 900 (H) x 022 (D)
<b>Planting Media Volume (l)</b>	~1.8	
<b>Weight (kg/m<sup>2</sup>)</b>		
Close Planting (~33 trays)	~ 93	
Spaced Planting (~22 trays)	~ 62	
<b>Vertical Distance between trays (mm)</b>		
@ 150mm pitch	0 (trays overlap)	
@ 225mm pitch	40	
<b>Biological / Chemical Resistance</b>	Unaffected by moulds and algae Good resistance to alkali and bitumen	

## Mounting Systems



**VersiWall® GP 2060  
Mounting Panel**

Easy to install proprietary panel made from recycled plastics.



**Welded Mesh**

Standard welded mesh with rod spacing 50mm wide x 75mm or 150mm high.



**Steel Rods**

Steel rods at 75mm or 150mm intervals providing a more minimalistic design.



# VersiWall® GP 2060

VersiWall® GP 2060 offers a simple solution for installation of aesthetically-pleasing living walls.

## About VersiWall® GP (VGP) 2060 Wallgarden

VGP 2060 is an easy-to-install and low-maintenance vertical greening system that allows choice of a variety of mounting, planting density and growth media options to suit different installation requirements.

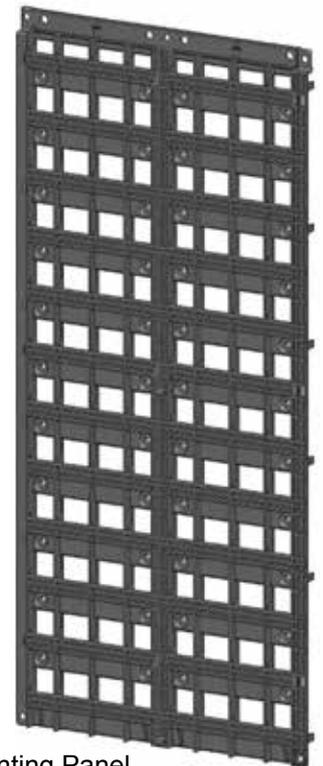
VGP 2060 Trays allow spacing of 200mm and 250mm horizontally and 150mm and 225mm vertically depending on plant size, planting density selected and or design requirements.

VGP 2060 Trays can be easily removed from their mounts individually for plant maintenance or design change. Each VGP Tray has a water reservoir with a cover designed to allow re-use of stored water via capillary action to sustain plant growth.

VGP 2060 Trays and Mounting Panels are manufactured from UV-stabilised recycled polyporpylene that meets requirements for international "Green Building" certification.



VersiWall® GP 2060Tray



VersiWall® GP Mounting Panel

### Advantages

- **Planting Media** Allows wide choice of planting media to be used.
- **Safety** Anti-lift arms prevent inadvertent dislodgement of trays.
- **Drainage** Drainage outlet allows excess water to flow into underlying trays or to be channelled away at the lowest.
- **Baffle Plate** Distributes irrigation, prevents media spillage and allows trays to neatly overlap in close planting.
- **Plant Density** Flexible vertical and horizontal tray spacing allows variable plant density and design options.
- **Water Re-use** Base Plate with capillary function enables use of stored water/fertiliser in reservoir.
- **Irrigation** Irrigation pipes are concealed between trays or at the rear.
- **Anchor system** 6-point mounting permits flexible use of various mounting options individually or in combination.
- **Installation** Proprietary Mounting Panels facilitates DIY installation and easy mounting of trays.
- **Soil Volume** Holds 1.8L of soil the equivalent of 150mm diameter planting pot.
- **Tray Width** Wide 200mm tray permits easy planting and allows room for plants to branch out as they grow.



Herb gardens in tight spaces



Varied planting density

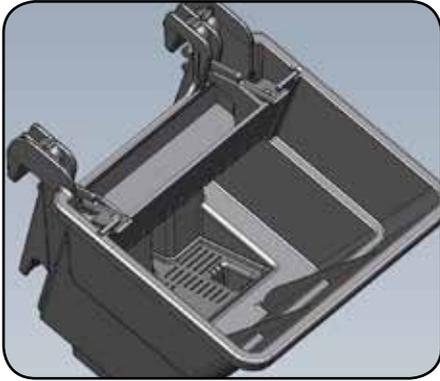


Suitable for temporal and event use

# Distinctive Features

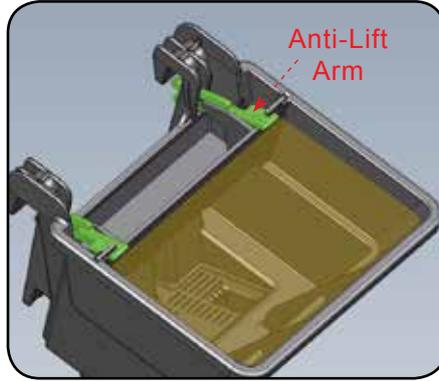
## Stored Water Use

Reservoir cover with capillary function helps to sustain plant growth.



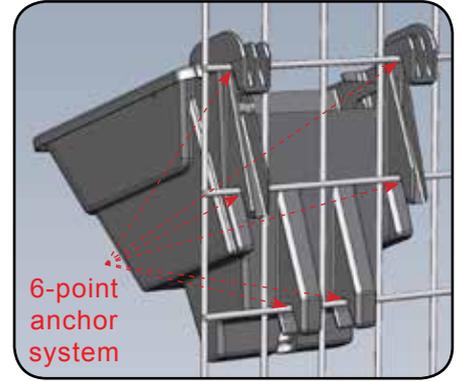
## Safety

Anti-lift arms prevent inadvertent dislodgement of trays.



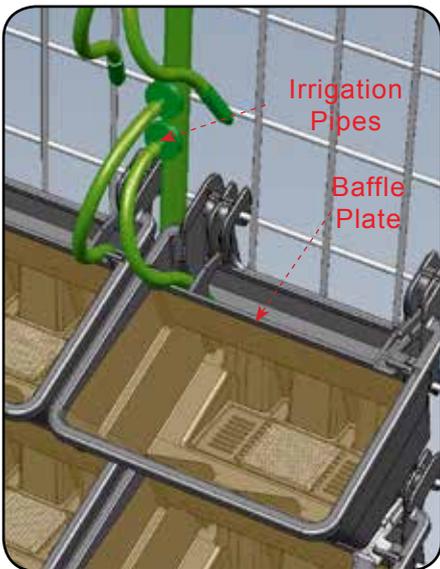
## 6-point Mounting

3 pairs of anchor hooks allow use of various mounting options.



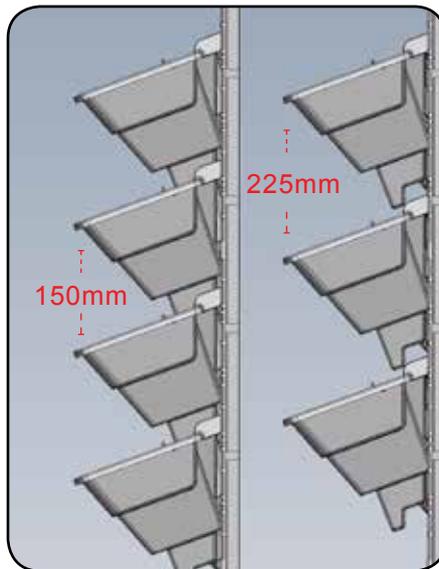
## Baffle Plate

Distributes irrigation, prevents media spillage and allows trays to neatly overlap in close planting.



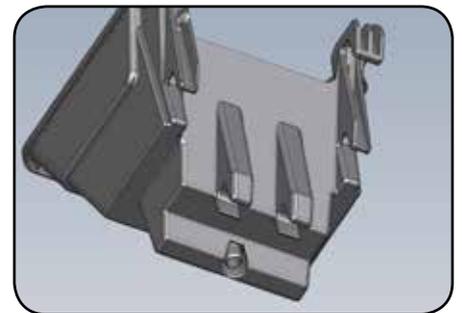
## Plant Density

Variable vertical and horizontal tray spacing allows different planting and design options.



## Drainage

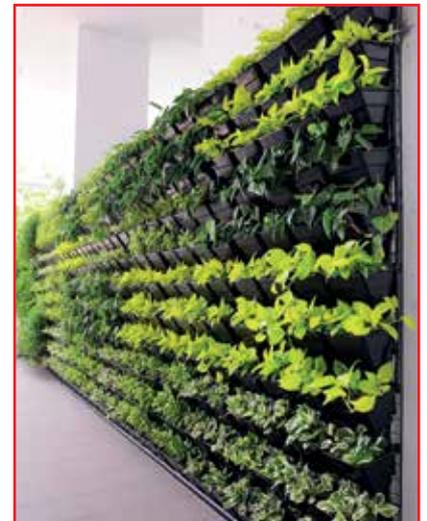
Excess water flows into underlying trays or is discharged through drainage outlet.



**VGP Tray Plug**  
Prevents water from draining out of VGP Tray. Available separately.



# Projects



# VGP® Mesh Bracket

VGP® Mesh Bracket is a robust stainless steel bracket to anchor welded mesh onto vertical surfaces for installing VersiWall® GP (VGP) green wall.

## About VGP® Mesh Bracket

VGP® Mesh Bracket can be adjusted horizontally and vertically for easy alignment of individual welded mesh panels and to avoid obstacles like re-bars embedded in the wall. This enables the quick positioning and installation of the mesh panels on the wall.

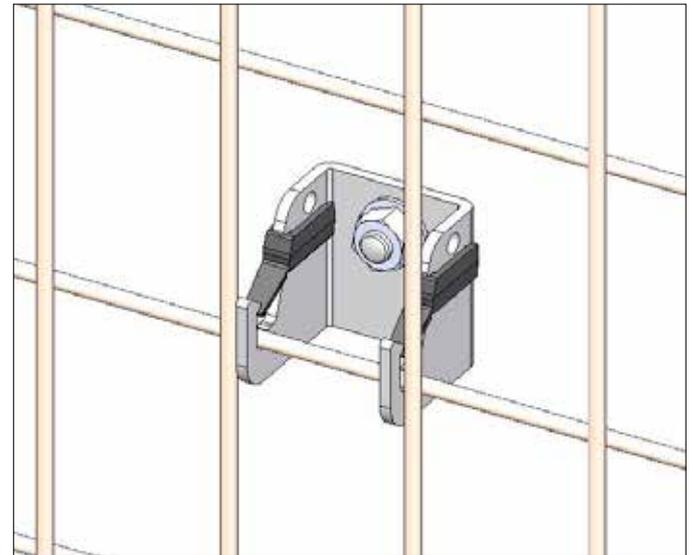
VGP® Mesh Bracket is engineered to facilitate use of fewer anchor points compared to conventional fastening systems using bolts of similar size with sleeves. The position of the bracket on the welded mesh does not interfere with installation of the VGP trays.

VGP® Mesh Bracket provides a constant 30mm gap between the mesh and wall for ventilation and allows services like irrigation lines to be conveniently secured at the back of the mesh away from view.

VGP® Mesh Bracket has integrated flexible Anti-Lift Arms on each of its side wings to prevent the mesh from inadvertent dislodgement.

## Advantages

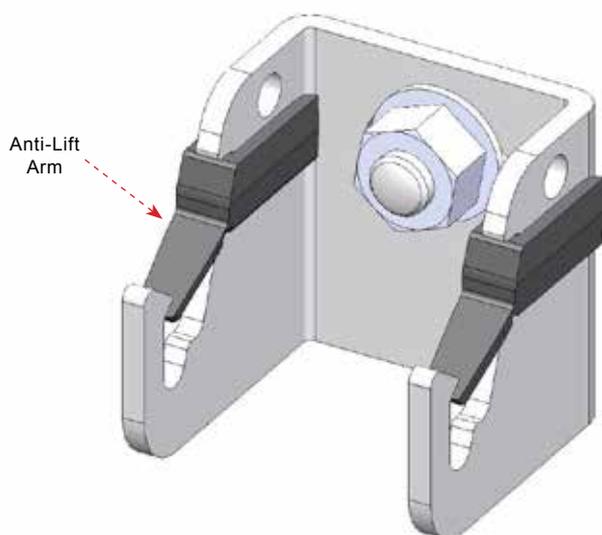
- 3mm Grade 304/316 stainless steel.
- Creates 30mm gap between welded mesh and wall.
- Integrated Anti-lift Arm prevents dislodgement.
- Easy minor horizontal and vertical adjustments.
- Less wall fastening points required.
- Allows attachment of accessories.
- Simple and easy installation.



Mesh Bracket

## Advantages

- Roof terraces
- Balconies
- Plant room access
- Court yards
- Podium decks



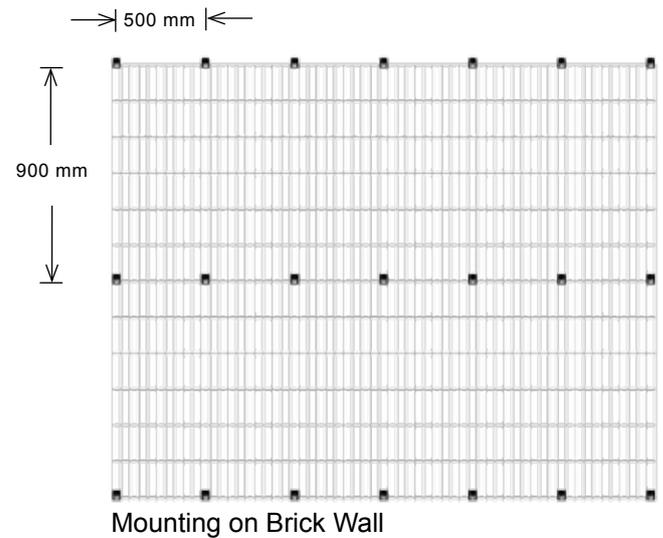
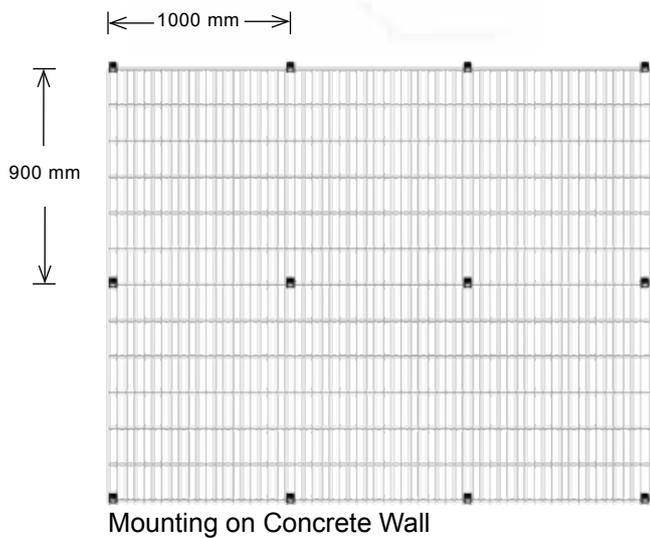
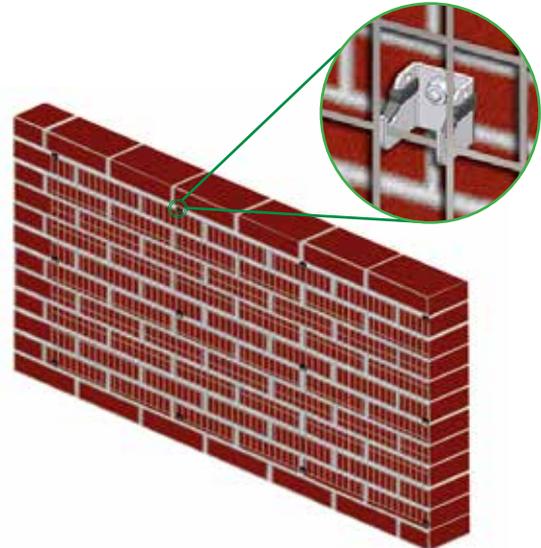
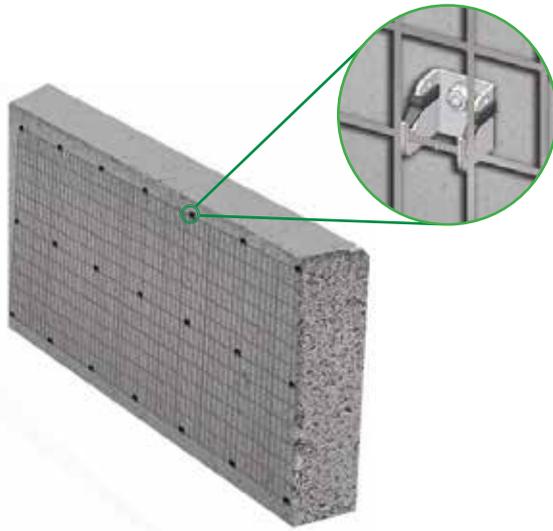
Bracket



Hanging Tray

# Technical Specifications

	Concrete Wall	Brick Wall
<b>Anchor Grid</b>	900(H) x 1000 (W)mm	900(H) x 500(W)mm
<b>Anchor Type</b>	Hilti HSA-R M8x75 or equivalent	Hilti HIT-HY 70 with HAS-E-R M10x90 or equivalent
<b>Welded Mesh</b>	75(H) x 50(W) x 5Ø mm or 150(H) x 50(W) x 5Ø mm	
<b>Support Brackets</b>	3mm stainless steel (Grade 304/316)	
<b>Design Load</b>	110kg / m <sup>2</sup>	
<b>Bracket Shear Strength</b>	117N / mm <sup>2</sup>	



# Projects





[www.femox.ch](http://www.femox.ch)

Note: The information provided in this brochure is based on current knowledge and experience and does not infer any legally binding assurance or warranty, expressed or implied. Intending purchasers should verify whether any changes to specifications or applications or otherwise have been made since the issue of this literature.

Femox GmbH  
Laendliweg 1  
CH - 5436 Wuerenlos  
+41 56 424 03 80  
[info@femox.ch](mailto:info@femox.ch)  
[www.femox.ch](http://www.femox.ch)