

FEMOX

*VersiPave
Adjustable Paver Support*



VersiPave

VersiPave height adjustable paver support pedestal provides a cost effective solution for raised pavers with inconsistent or uneven thickness. It creates a cavity to conceal services, improves heat and sound insulation, facilitates rapid surface drainage and allows easy access to waterproofing. It also reduces efflorescence, algae growth and paving installation costs.

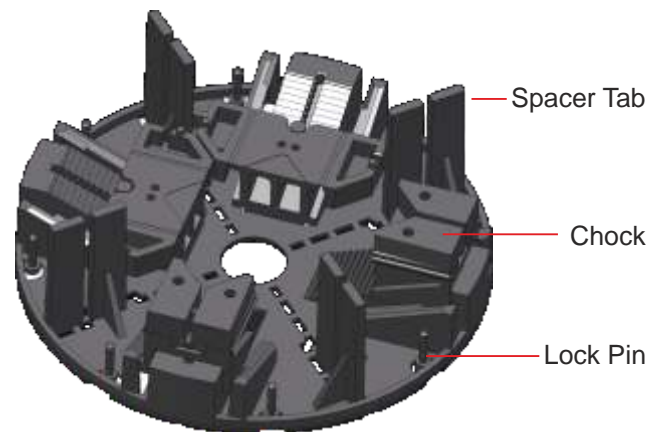
About VersiPave

VersiPave is a paver support pedestal engineered by Elmich to reduce material, construction and lifecycle costs.

Height range of VersiPave is 24mm to 45mm and may be increased using VP-20E and/or VP-40E extenders.

The ability of VersiPave to be separated into halves or quarters, enables flush placement along wall edges and also around or into corners.

VersiPave is used in areas such as balconies, swimming pool surrounds and courtyards.



Advantages

- Minimum height of 24mm
- Progressive 1mm height adjustment
- Accommodates pavers of inconsistent thickness
- Supports Green Building certification
- Easy to install, cost effective and lightweight
- Made from 100% recycled materials
- Reduces construction time
- Reusable, suitable for temporary paving or retrofitting



Construction benefits

Height extensions and height adjustments are easy and convenient. Individually adjustable chocks allow for difference in paver thickness.

Eliminates need for bedding sand or cement screed, reducing the load burden on building structures. It also reduces installation time and costs.

Joint sealants and grouts are unnecessary as expansion and contraction of pavers do not result in unsightly cracks.

High Compressive Strength

VersiPave with Extenders up to 105mm have a compressive strength of 25kN.

Supports Green Building Certification

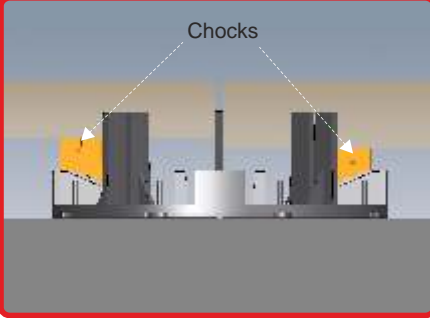
VersiPave is manufactured from recycled materials which meets RoHS requirements.



Distinctive Features

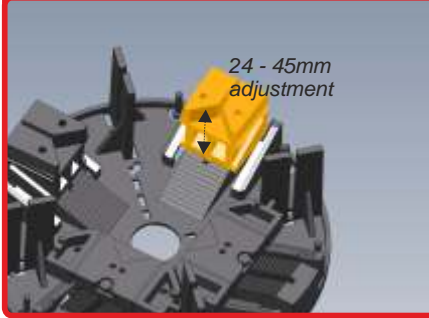
Individual Chocks

Allow for difference in individual paver thickness.



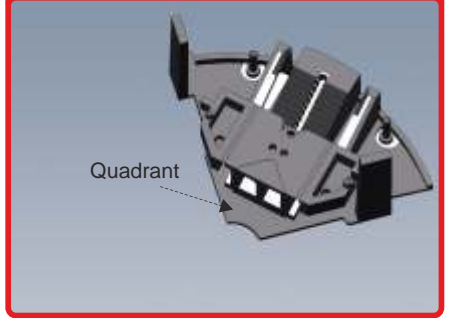
Height Adjustments

Allows height adjustments from 24mm to 45mm in 1mm increments.



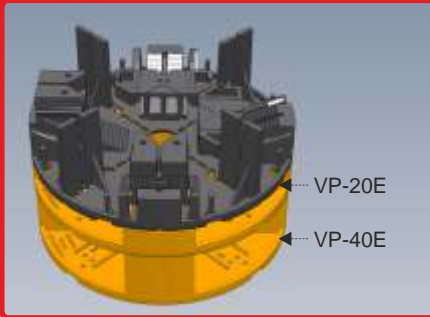
Sectioned Design

VersiPave and Extenders can be used in sections along edges and corners.



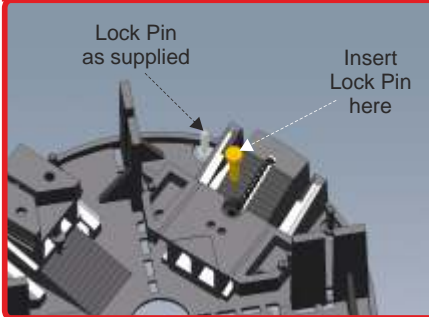
Extended Height Range

Pedestal height can be increased with VP-20E and VP-40E extenders.



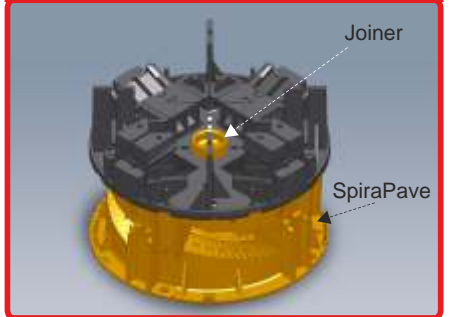
Lock Pins

Lock Pins prevent accidental movement of chocks after height is set.



Versatility

Compatible with other Femox pedestals e.g. SpiraPave and VersiJack.



Projects



Properties

Material	Recycled polypropylene
Colour	Black
Height Range	24 to 105mm
Spacer	4mm (gap between pavers)
Base Diameter	162mm
Compressive Strength¹	25 kN
Marginal Adjustments	1mm
Biological, chemical Resistance	Resistant to moulds and algae, oils, acids, alcalis and bitumen

¹varies with different combinations

Accessories



20E Extender

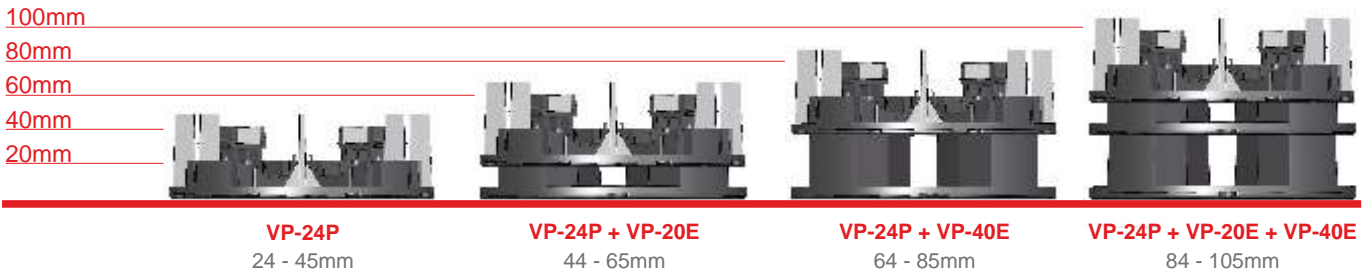


40E Extender



Joiner

VersiPave Height Chart



Note: The information provided in this brochure is based on current knowledge and experience and does not infer any legally binding assurance or warranty, expressed or implied. Intending purchasers should verify whether any changes to specifications or applications or otherwise have been made since the issue of this literature.

Distributed by: