

FEMOX

*VersiJack
Paver & Bearer Support*



Femox VersiJack

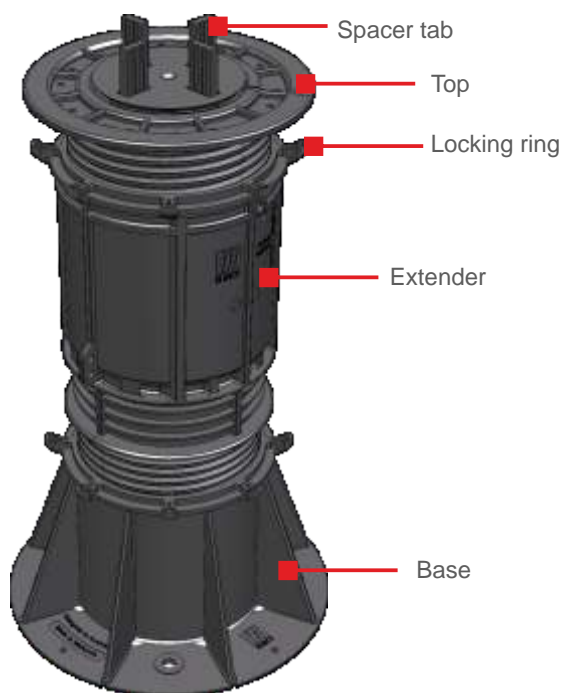
VersiJack eliminates the need for bedding sand and/or use of brick or metal piers for installation of raised pavers or decking. It eliminates efflorescence and prevents algae growth on pavers, facilitates rapid surface drainage and easy accessibility to waterproofing membranes and concealed services. It also provides a ventilation break that enhances heat and sound insulation.

VersiJack is a new generation height and slope-adjustable pedestal that offers users a wide range of component parts to cater to different height requirements, including three pedestal tops (43, 84 and 164mm) and two pedestal bases (74 and 117mm).

The basic pedestal height can be increased to above 1000mm using only three Extenders, thus providing significant cost savings for pedestal heights above 500mm.

VersiJack may be used with a combination of one or more accessories, including top and base correctors that allow slope compensation up to 5% each. The base slope corrector enables the pedestal to remain upright on a sloping surface, minimising possibility of toppling at extended heights.

Drainage holes and a slope design at the base flange of the two pedestal bases prevent water pooling and breeding of pests.



Vorteile

- Progressive height increase
- Easy to install, cost effective and lightweight
- Optional top and/or bottom slope correction
- Base design does not retain water
- Made from 100% recycled material
- Supports Green Building certification

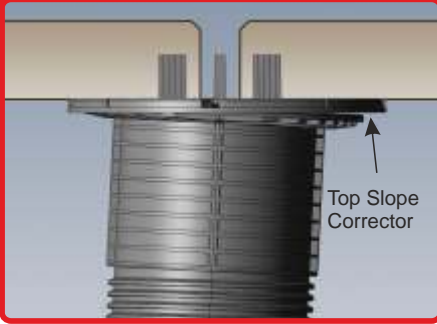
Applicable areas

- Pool surrounds
- Roof terraces
- Balconies and patios
- Pedestrian walkways
- Plaza decks
- Reflective pools



Top Slope Corrector

Top and bottom slope-correctors allow compensation of up to 10% keeping pedestals upright on a sloping surface, minimising possibility of toppling.



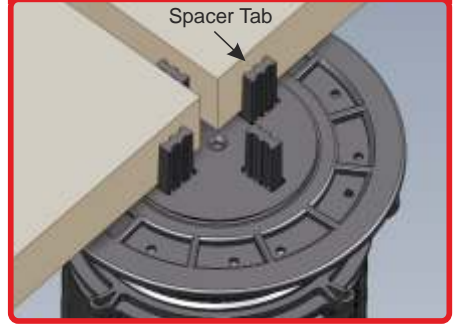
Bearer Holder

Bearer holders, a useful accessory, keep bearers firmly in place on pedestal tops. Eliminates need for concrete or metal piers as support for decking installation.



Spacer Tab

VersiJack has spacer tabs of various thickness (2mm - 10mm) to cater to the different gap size between pavers. They are easily slotted onto the pedestal top.



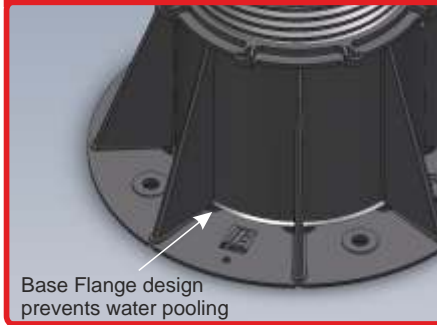
Locking Ring

Locking rings ensure that the individual pedestal are secured at desired heights. They are easily removed when not required.



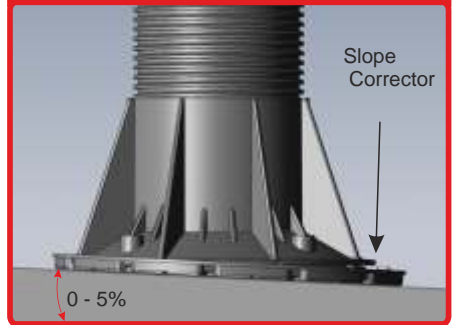
Non-Water Retention

The base design prevents water pooling and breeding of pests at the base flange especially when installed on an incline.



Bottom Slope Corrector

VersiJack has optional slope correctors at the top or bottom of the pedestal. The Bottom Slope Corrector allows the pedestal to remain upright.



Projects



Properties

Material	Polypropylene (recycled)
Colour	Black
Height range	37mm to 1016mm
Ultimative Compressive Strength ¹	15 kN
Design Compressive Strength ¹	11 kN
Slope correction	0% to 5% @ 1% increment
Ø Base	189mm (VJ-F1/VJ-F2/VJ-F3) 202mm (VJ-117B) 228mm (VJ-125B)

Spacer Tabs

Height	25mm
Thickness	2 / 3* / 4 / 6 / 10mm

* 3mm also in height 15mm available

Bearer Holder	50 to 85mm (bearer width)
---------------	---------------------------

Biologische, chemische Resistance	Unaffected by moulds and algae and good resistance to alkali and bitumen
-----------------------------------	--

¹ varies with different heights

Accessories



VJ-125B Base with Slope Correction



Top Slope Correction



Bearer Holder



2mm



3mm



4mm
Spacer Tabs

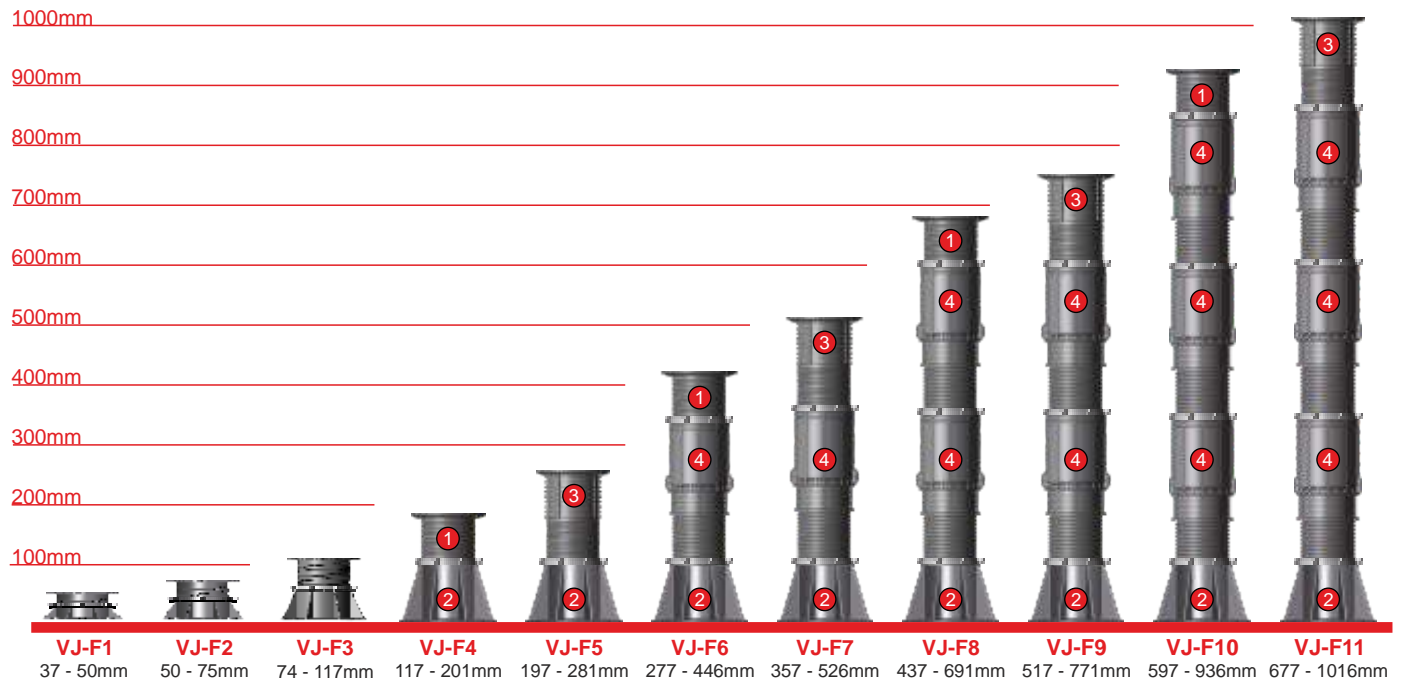


6mm



10mm

Overview VersiJack



- ① VJ-84T ③ VJ-164T
- ② VJ-117B ④ VJ-245E

With Slope Correction VJ-125B for Base* (VJ-117B)

VJ-C4	VJ-C5	VJ-C6	VJ-C7	VJ-C8	VJ-C9	VJ-C10	VJ-C11
125 - 209mm	205 - 289mm	285 - 454mm	365 - 534mm	445 - 699mm	525 - 779mm	605 - 944mm	685 - 1024mm

Note: The information provided in this brochure is based on current knowledge and experience and does not infer any legally binding assurance or warranty, expressed or implied. Intending purchasers should verify whether any changes to specifications or applications or otherwise have been made since the issue of this literature.

Distributed by: